

M57N2 – TDCi Defender Mount Kit

Please use the below instructions as a guide for fitting the mounts. You should receive:

1x LH Mount

1x RH Mount

1x Mount for LT230

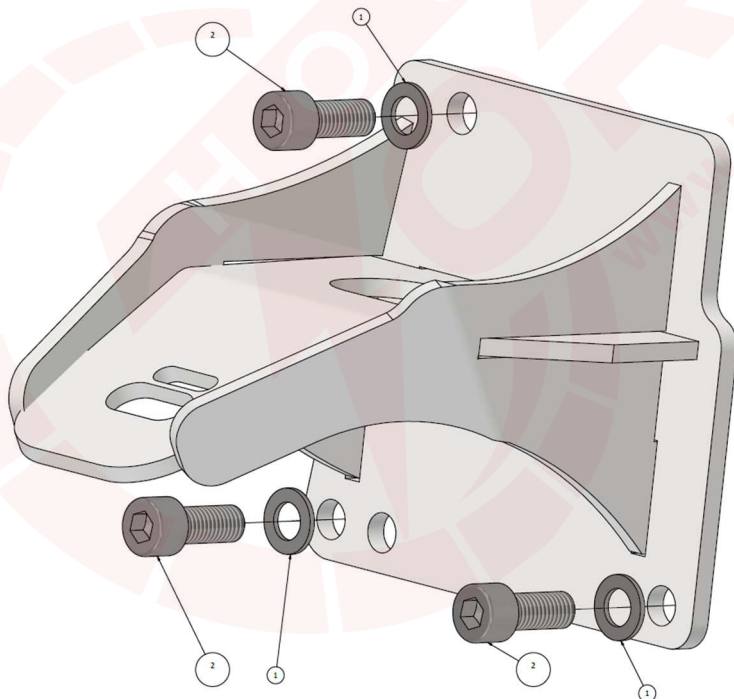
1x Mount for gearbox

1x Hardware bag & threadlock

Install mounts to block using mounting hardware as shown below:

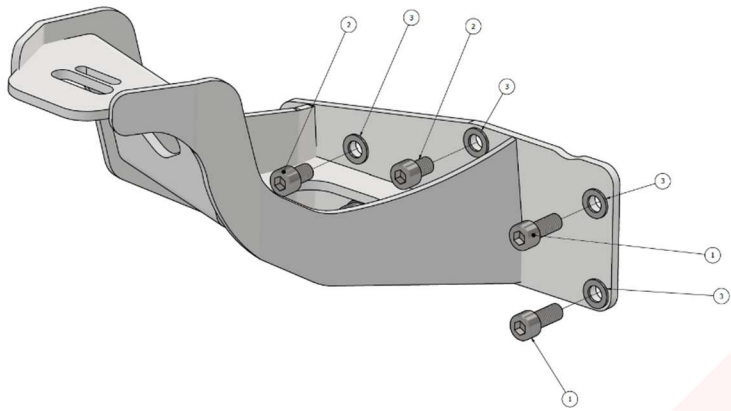
Use threadlock on each fastener, and tighten to 45Nm.

LH Mount

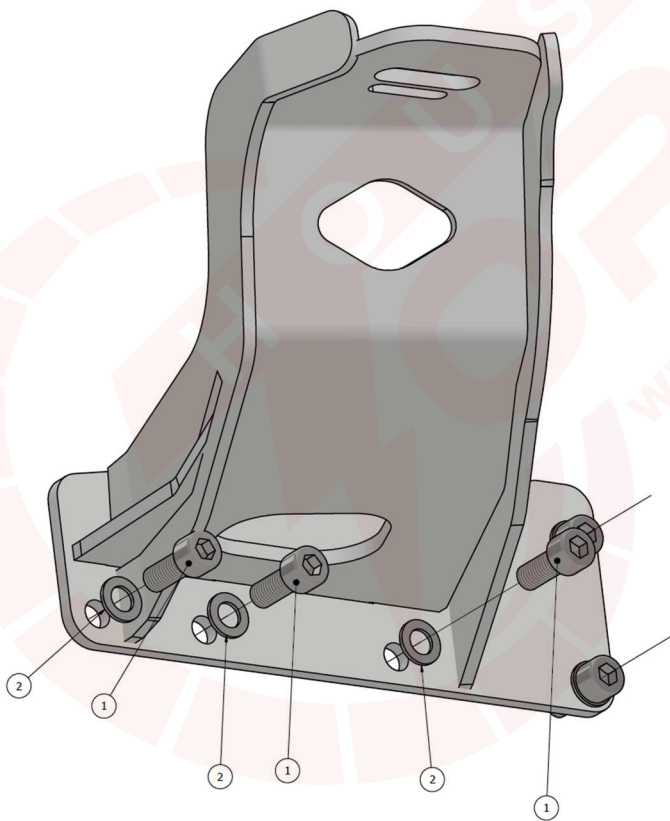


PARTS LIST			
ITEM	QTY	PART NUMBER	DESCRIPTION
1	3	M10 Washer	
2	3	M10 x 25 Socket Cap	

RH Mount

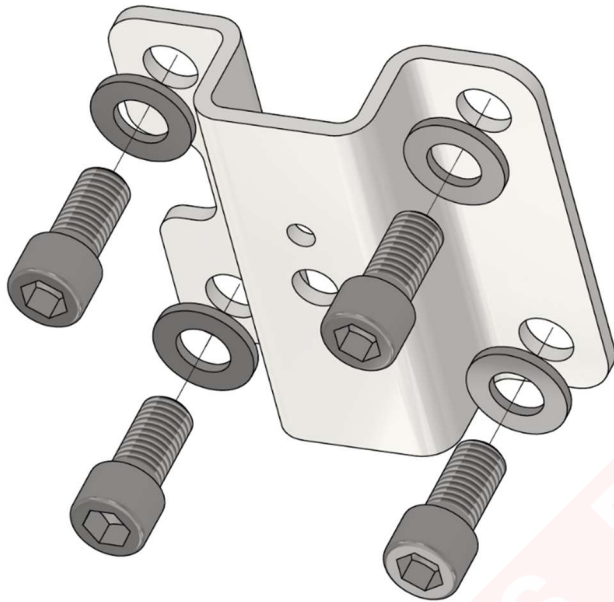


PARTS LIST			
ITEM	QTY	PART NUMBER	DESCRIPTION
1	2	M10 x 25 Socket Cap	
2	2	M10 x 26 Socket Cap	
3	4	M10 Washer	



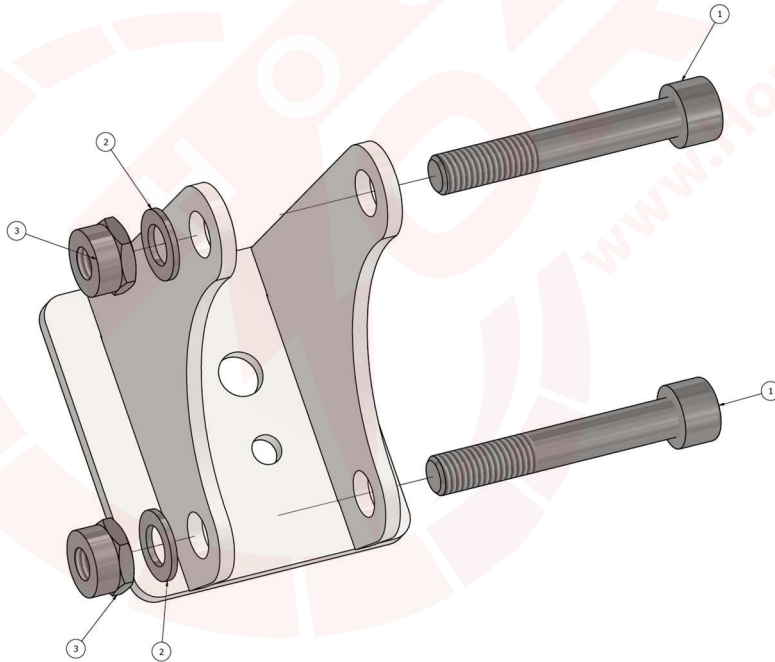
PARTS LIST			
ITEM	QTY	PART NUMBER	DESCRIPTION
1	3	M10 x 25 Socket Cap	
2	3	M10 Washer	

Gearbox Mounts



PARTS LIST			
ITEM	QTY	PART NUMBER	DESCRIPTION
1	4	M12 Washer	
2	4	M12 x 25 Socket Cap	

100Nm TORQUE ON THESE BOLTS



PARTS LIST			
ITEM	QTY	PART NUMBER	DESCRIPTION
1	2	M10 x 65 Socket Cap	
2	2	M10 Washer	
3	2	M10 Nyloc Nut	